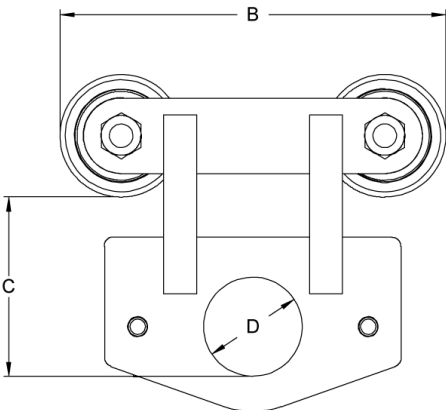
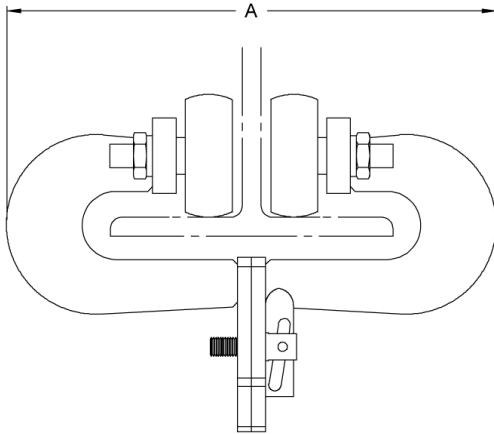




# BEAM TROLLEY

1, 3, & 6 ton capacity



MODEL	S.W.L. (lb/tons)	WEIGHT (lbs)	WIDTH (in) Min-Max	A (in)	B (in)	C (in)	D (in)
BT20	1 Ton	18	3-8	13 7/16"	8"	3 1/2"	1 1/2"
BT60	3 Ton	30	3-8	13"	10 1/2"	4 5/8"	2 1/2"
BT120	6 Ton	55	4-10	17 7/16"	12"	6"	3 1/2"

**RIGGERS MANUFACTURING COMPANY**  
P.O. BOX 506  
1555 IL ROUTE 26 SOUTH  
DIXON, IL 61021

**PHONE:** +1-815-288-7626  
**FAX:** +1-815-288-7634  
**EMAIL:** riggers@riggers.com  
**WEB:** www.riggers.com